

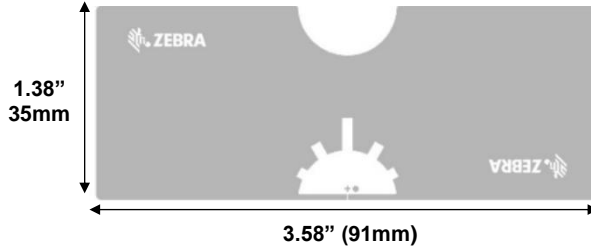


**ZEBRA**

# Zebra ZBR4000 Inlay

## DETAILS

- Advanced inlay
- Optimized to be read from nearly any angle
- Performs well when placed on or near challenging materials (i.e. pallets, freight)
- Best in class read accuracy with overhead readers like Zebra ATR7000
- Applications: Case / Pallet, Freight, Assets
- Meets Auburn ARC Specs: A,B,C,D,F,G,I,K,L,M,N,Q,U



## SUGGESTED APPLICATIONS

- Case/pallet labeling



- Transportation & Logistics



- Freight/Assets



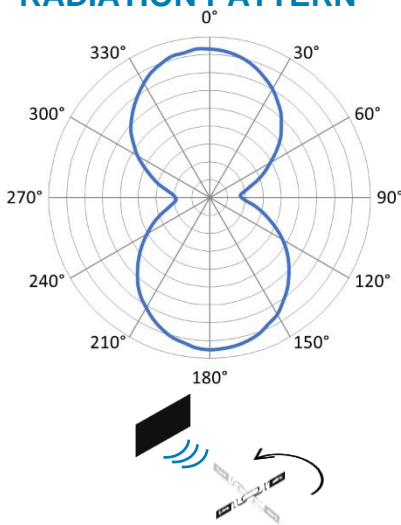
## TECHNICAL INFORMATION

- Chip: NXP UCODE 8
  - EPC memory: 128 bit
  - User memory: N/A
  - TID: 96 bit factory locked (48 bit unique)
  - Read Sensitivity: -23dBm
  - Write Sensitivity: -18dBm
  - UHF RFID, EPC Gen2v2, ISO 18000-63, RAIN RFID
- Extreme high sensitivity: read range up to 20m in free space

## THEORETICAL \*\* READ RANGES ON VARIOUS SURFACES (m)

Material	ETSI (865-868 MHz)	FCC (902-928 MHz)
Air	10	17
Cardboard	14	18
Fiberglass	20	19
Glass	20	18
PTFE	17	19
Polyacetyl	19	19
PVC	18	20
Rubber	19	16

## RADIATION PATTERN\*



\*Read range drops to 23% of maximum when inlay is perpendicular (90° and 270°) to the reading antenna.

\*\*Theoretical read range data is meant to be directional. Actual performance will depend on your application and environment. Testing is recommended.

All inlays certified by Zebra have been pre-tested with Zebra printers and readers. For more information on Auburn's ARC specifications, testing, and the certification process, please go to [rfid.auburn.edu](http://rfid.auburn.edu).



For more information, visit [www.zebra.com/supplies](http://www.zebra.com/supplies)

**Product Performance and Suitability:** The information contained in this document is to be used for guidance only and is not intended for use in setting specifications. All purchasers of Zebra products shall be solely responsible for independently determining if the product conforms to all requirements of their unique application.